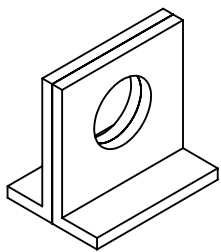
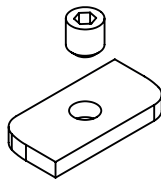


Parts needed to assemble and mount the UCHO-ZD hanger.



Hanger (A)



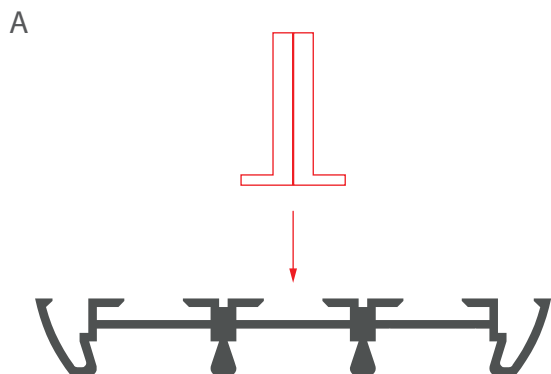
Block(B)

Tools needed for mounting:

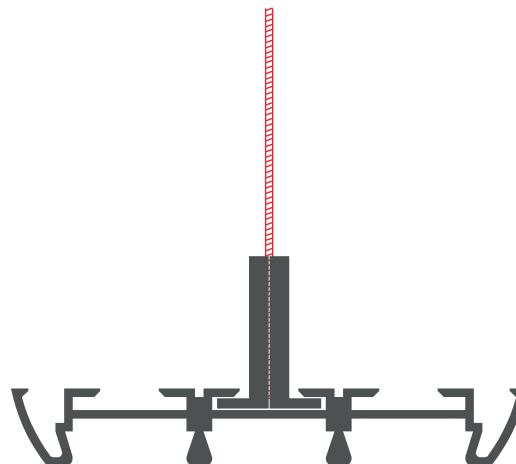
- Allen wrench

NOTE! A list of products corresponding with the selected accessories is available at www.klusdesign.eu

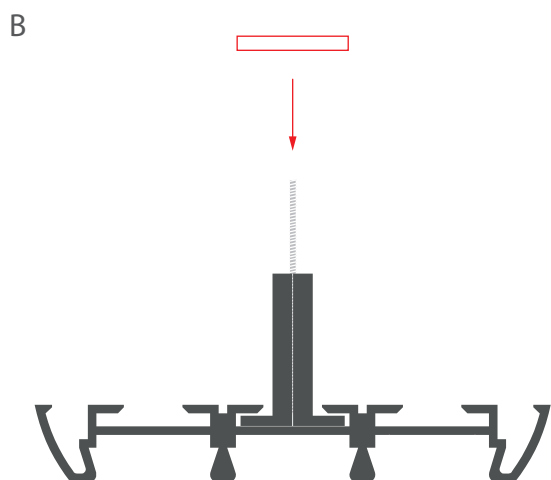
1. Insert the hangers (A) into the channel of the extrusion.



2. Attach mounting cables to the hangers.



3. Insert the blocks (B) into the channel of the extrusion, where the hangers (A) are already attached. Then tighten the screws in the blocks (B).



4. Mount the ready assembly to the prepared surface.

